

QUICK START GUIDE

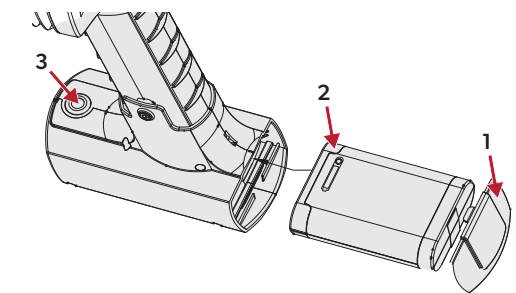
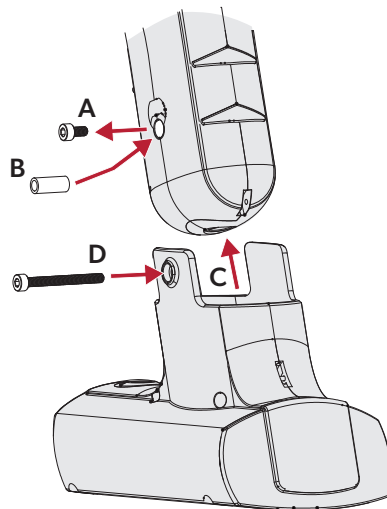
RRC2040

NL CAMERA

1 GETTING STARTED

To start using the NL Camera, you first need to attach the battery housing to the camera. Please follow the instructions below. If the battery housing is already attached, please ignore steps A to D.

- A** Unscrew and remove the lowest screw on the camera handle. (tool: 2.5 mm hex socket screwdriver).
- B** Insert the support spacer into the screw hole.
- C** Insert the battery housing into the camera handle. The housing is in its correct place when the screw hole of the battery housing is aligned with the lowest screw hole on the camera handle.
- D** Screw the 30 mm hex screw through the housing into the handle. Tighten firmly.



- E** Open the lid (1) of the battery housing, and insert the battery connectors first and then the charge gauge (2) facing upwards. Ensure the battery is all the way inside the housing. Close the lid.

Press the on/off button (3) at the front of the battery housing to turn on the camera. For more information, see the **NL Camera User Manual**.

2 DEVICE SETUP WIZARD

- A** The device setup wizard is run when the device is started for the first time.
- B** The wizard asks for WiFi settings (not supported in all regions), time settings, application mode (not applicable to all versions), and application mode settings.
- C** The instructions for registering the device for cloud use (not supported in all regions) are given at the end. Registration can be performed once.

The cloud can be accessed at view.nlacoustics.com

3 VISIT THE NL ACOUSTICS SUPPORT PORTAL

Please visit support.nlacoustics.com for more information such as on how to use the video function.





OPTIONS FOR BROWSING THE RESULTS

NL CLOUD

RECOMMENDED

FREE OF CHARGE

You can use our most advanced analytics features, such as partial discharge severity assessment or ISO 50001-compatible air leak reporting, simply by creating a free-of-charge NL Cloud account and registering your device at view.nlacoustics.com. The device setup wizard will guide you through the process.

Visit support.nlacoustics.com for more information.

NL CAMERA VIEWER

FREE OFFLINE SOFTWARE

If you are unable to use the included NL Cloud service for browsing your results, you can download the NL Camera Viewer basic version for Windows desktops.

1. Open view.nlacoustics.com and create an NL Cloud account if you don't yet have one.
2. Click *Download NL Viewer* in the top menu bar.
3. Once you have initiated the download, the site will automatically download an .exe file that contains the NL Camera Viewer. When you click open this .exe file, the NL Camera Viewer will install itself automatically.

NL CAMERA VIEWER PRO

OFFLINE SOFTWARE WITH FULL ANALYTICS

To use our most advanced analytics features offline, such as partial discharge severity assessment or ISO50001-compatible air leak reporting, you can purchase the NL Camera Viewer Pro version from your local reseller.

When you start the NL Camera Viewer basic version for the first time, you will be asked to choose between using only the basic features, starting a trial period of the NL Camera Viewer Pro, or purchasing a Pro license. If you opt for the NL Camera Viewer Pro trial period and then wish to use the features after the trial period has ended, you will need to purchase a license. To purchase the license, contact your local reseller and follow the instructions below.

What you need to do to purchase the NL Camera Viewer Pro license

1. Contact your local reseller, who will ask you for a node key.
2. In the NL Camera Viewer, go to *Settings* → *Register License* and choose *Purchase and Register*.
3. In the window that opens, you will see the automatically created node key that is unique to your computer. The node key is a short sequence that consists of numbers and letters, for example, 3X23-MH2Z.
4. Forward the node key to your reseller.
5. The reseller will use the node key to create a unique license key for you. Please note that the license key will be valid only on the computer whose node key was used.
6. After you have received the license key from the reseller, open the NL Camera Viewer and go to *Settings* → *Register License* and choose *Purchase and Register*.
7. Type in the license key and click *Save License Key*. The NL Camera Viewer will then automatically upgrade itself to NL Camera Viewer Pro.